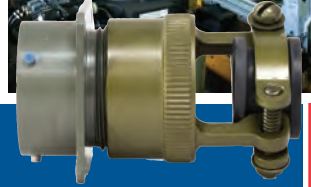
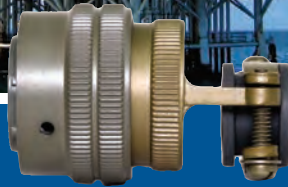




# Aero-Electric Connector

26482 Series I Solder



Military » Aerospace » Geophysical » Industrial » Transportation

[conesys.com](http://conesys.com)

# MIL-DTL-26482 Features and Applications Series I



## Features and Application

Aero-Electric Connector is now fully qualified to supply MIL-DTL-26482 series I solder connectors, MS311x. Our commercial and military offerings employ a revolutionary insert molding technology which helps to make this a cost effective connector product line.

This family of connectors is offered in 4 receptacle shell styles. They include wall mount, in-line/cable connecting, box mount, and jam nut.

More than 2 dozen of the most popular insert arrangements (per MIL-STD-1669) are available.

The insert molded contact system eliminates the need for costly contact bonding, alignment, and curing, currently required with 26482 series I solder connectors. This greatly reduces the cost of assembly while improving the quality of the connector system. There are no labor intensive contact insertion steps as the contacts are accurately and consistently placed and bonded during the molding process. This connector is environmentally sealed by molding the contact into the insert, then bonding the insert to the shell in addition to the rear wire sealing grommet. They are intermateable and intermountable with all connectors, manufactured in accordance with MIL-C-26482 Series I and VG95328



26482 S I



## Performance Specifications

### Operating Temperature Range

-55°C (-67°F) to 125°C (257°F)

### Material and Finish Data (Class)

- MS – aluminum shell, Olive Drab Cadmium over Nickel base
- YL\* – aluminum shell, Zinc Nickel, Black, over Nickel base (RoHS)
- S\* - aluminum shell, Black Electroless Nickel (RoHS)
- ZL\* – aluminum shell, Zinc Cobalt, Black, over Nickel base (RoHS)
- T\* - aluminum shell, Electroless Nickel (RoHS)
- ZG\* - aluminum shell, Zinc Cobalt, Olive Drab, over Nickel base (RoHS)
- A\* - aluminum shell, hard black anodize (RoHS)

### Corrosion Resistance

- Finishes MS and S withstand 48-hour Salt Spray;
- Finish T withstands 24-hour Salt Spray\*;
- Finish YL, A withstands 96-hour Salt Spray\*;
- Finish ZL, ZG withstands 96 hour Salt Spray\*

### Environmental Seal

Wired, mated connectors with specified accessories attached, shall meet Water Pressure and Air Leakage Tests specified in MIL-DTL-26482, Series 1.

### Fluid Resistance

Connectors resist specified immersions in MIL-PRF-5606 (Hydraulic Fluid) and MIL-PRF-7808 (Lubricating Oil).

\* Commercial Version

### Durability

Mated connectors withstand 500 cycles of coupling and uncoupling.

### Shock and Vibration Requirements

Wired, mated connectors shall not be damaged and there shall be no loosening of parts. Counterpart connectors shall be retained in full engagement, And, there shall be no interruption of electrical continuity longer than 10 microseconds when subjected to the following:

#### Shock

Mated connectors withstand pulse of approximate half-sine wave of 50 G magnitude, with duration of 11 milliseconds, applied in each direction of the three major axes.

#### Vibration

Mated connectors withstand the following vibration levels: Sinusoidal Vibration per EIA-364-28, test condition III.

### Voltage Rating

Service Rating	Suggested Operating Voltage**		Test Voltage	Test Voltage	Test Voltage	Test Voltage
	(Sea Level)		Sea Level	50,000 Ft.	70,000 Ft.	110,000 Ft.
	AC (RMS)	DC	V RMS	V RMS	V RMS	V RMS
I	600	850	1,500	500	375	200
II	1,000	1,275	2,300	750	500	200

\*\* To be used by designer only as a guide.

**MIL-DTL-26482**  
**Part Number Development**  
**Series I**



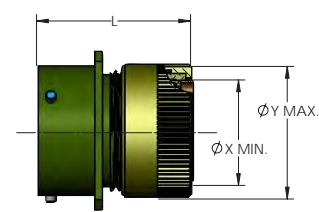
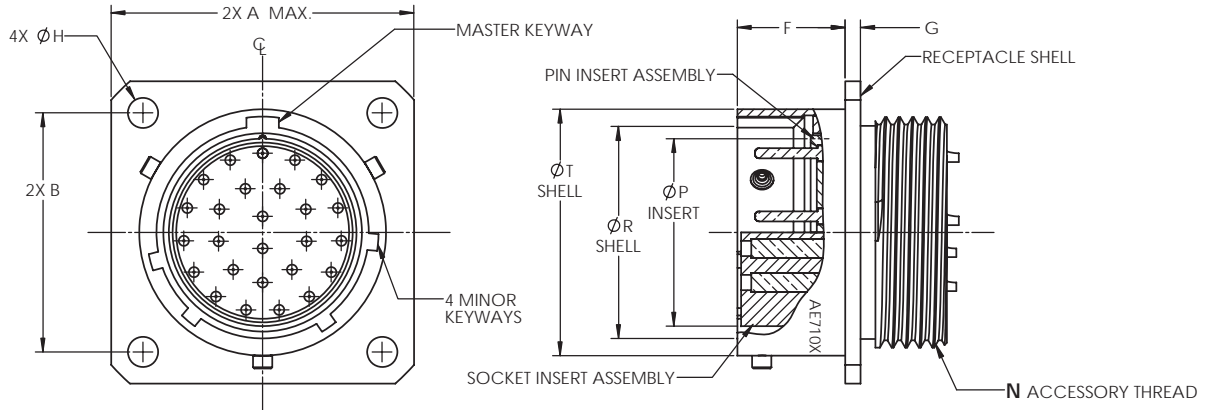
**Military and Aero-Electric Part Number Development**

Mil. Prefix	MS311	0	F	12 -	10	P	W		
Aero Prefix	AE71	0	F	12 -	10	P	W	T	
<b>Shell type</b>									
0 = Wall mount receptacle									
1 = In-line/cable connecting receptacle									
2 = Box mount receptacle									
4 = Jam Nut receptacle									
6 = Straight plug									
<b>Class</b>									
"E", "F", "J", "A" (commercial Only)									
<b>Shell Size</b>									
8 Thru 24 (single digit for shell size 8)									
<b>Insert Arrangement</b>									
See pages 11 thru 14									
<b>Contact Style</b>									
P = Pin									
S = Socket									
<b>Insert Position</b>									
Blank = Normal									
W, X, Y or Z = Alternate Insert Positions									
<b>Finish (Material &amp; Plating) (valid for Aero commercial part # only)</b>									
Blank = Aluminum, Cadmium/Olive Drab (Mil Spec Qualified)(AE part number only, not needed for MS)									
YL = Aluminum, Zinc Nickel (black)(RoHS) (Commercial, AE part number only)									
S = Aluminum, Black Electroless Nickel (RoHS) (Commercial, AE part number only)									
ZL = Aluminum, Zinc Cobalt (black) (RoHS) (Commercial, AE part number only)									
T = Aluminum, Electroless Nickel (RoHS) (Commercial, AE part number only)									
A = Aluminum, Hard Black Anodize (RoHS) (Commercial, AE part number only)									
ZG = Aluminum, Zinc Cobalt, Olive Drab, over Nickel base (RoHS) (Commercial, AE part number only)									
<b>Modification (applies to Aero part numbers only)</b>									
Refer to pages 16-19 for PC tail contacts									
For other modifications, such as rear accessories, other finishes and materials, etc., please consult factory									

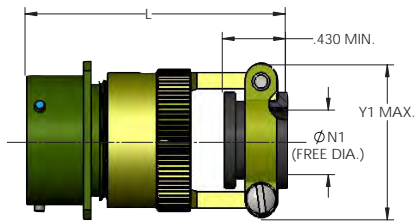
26482 S I



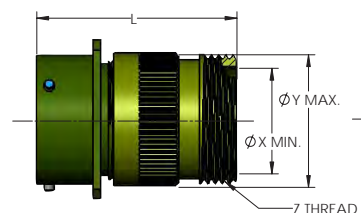
**MS3110 / AE710 Wall Mount Receptacle**



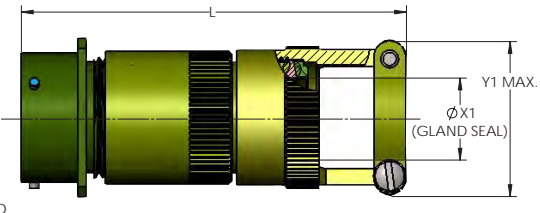
**RECEPTACLE WHEN ASSEMBLED WITH BACKSHELL CLASS "E"**



**RECEPTACLE WHEN ASSEMBLED WITH BACKSHELL CLASS "F"**



**RECEPTACLE WHEN ASSEMBLED WITH BACKSHELL CLASS "A"**  
(Commercial Only)



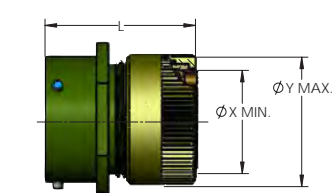
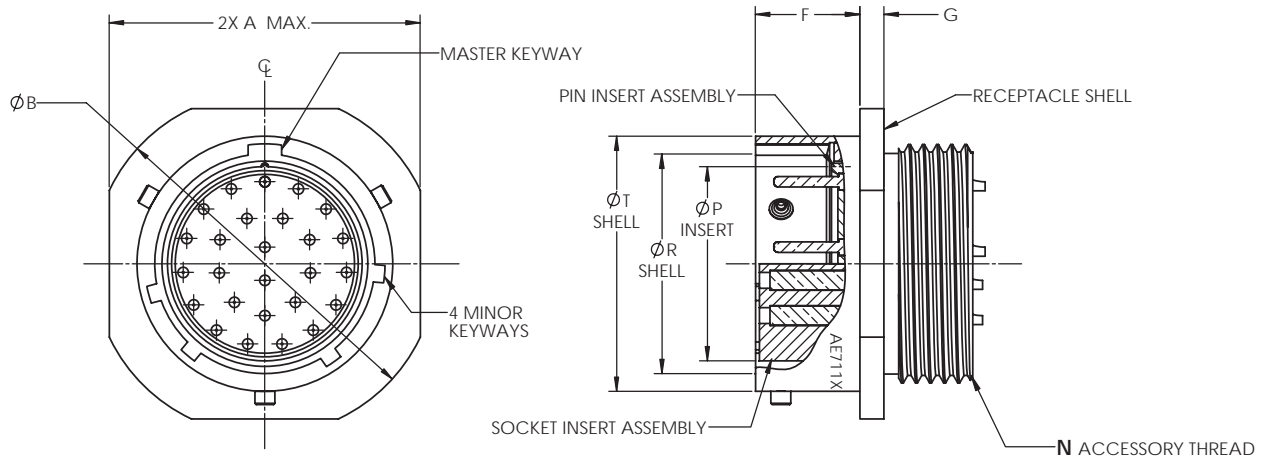
**RECEPTACLE WHEN ASSEMBLED WITH BACKSHELL CLASS "J"**

SHELL SIZE	A MAX.	B	F +.031 -.000	G ±.016	ØH	L Max Overall Length				N Thread UNEF-2A	ØN1 ±.010	ØP MAX.	ØR	ØT	ØX Min.	ØX1 min range		ØY MAX.	Y1 MAX.	Z Thread Unef-2A	
						Class A	Class E	Class F (bushing included)	Class J							closed	open				
8	.828	.594	.431	.062	.120	1.553	1.328	1.992	2.271	.4375-28	.125	.285	.367 .361	.474 .468	.269	.169	.230	.608	.828	.5000-28	
10	.954	.719							2.271	.5625-24	.188	.402	.495 .489	.591 .585	.359	.205	.312	.734	.891	.6250-24	
12	1.047	.812							2.411	.6875-24	.312	.516	.612 .606	.751 .745	.469	.338	.442	.858	1.016	.7500-20	
14	1.141	.906							2.599	.8125-20	.375	.641	.737 .731	.876 .870	.589	.416	.539	.984	1.141	.8750-20	
16	1.234	.969							2.047	2.943	.9375-20	.500	.766	.862 .856	1.001 .995	.727	.550	.616	1.110	1.203	1.000-20
18	1.328	1.062							2.078	3.172	1.0625-18	.625	.855	.967 .961	1.126 1.120	.779	.600	.672	1.234	1.469	1.1875-18
20	1.453	1.158							3.610	1.1875-18	.625	.980	1.092 1.086	1.251 1.245	.901	.635	.747	1.360	1.1875-18		
22	1.578	1.250	.556	.094	1.703	1.531	2.344	3.766	1.3125-18	.750	1.105	1.217 1.211	1.376 1.370	1.009	.670	.846	1.484	1.656	1.4375-18		
24	1.700	1.375	.589	.147	1.765	1.594	2.406	3.985	1.4375-18	.800	1.229	1.342 1.336	1.501 1.495	1.123	.740	.894	1.610	1.750	1.4375-18		

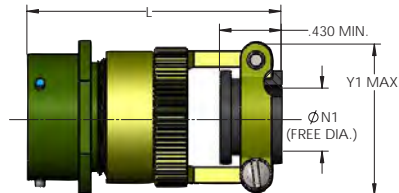
**MS3111**  
**In-line/cable connecting receptacle**  
**AE711**



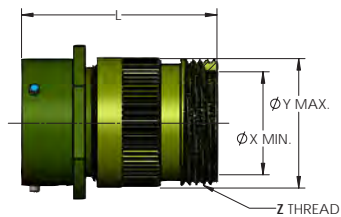
**MS311 / AE711 In-line/cable connecting receptacle**



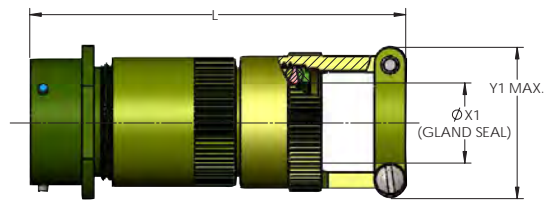
**RECEPTACLE WHEN ASSEMBLED WITH BACKSHELL CLASS "E"**



**RECEPTACLE WHEN ASSEMBLED WITH BACKSHELL CLASS "F"**



**RECEPTACLE WHEN ASSEMBLED WITH BACKSHELL CLASS "A"**  
 (Commercial Only)



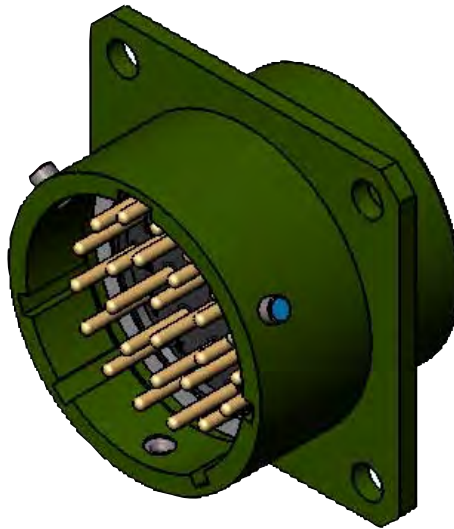
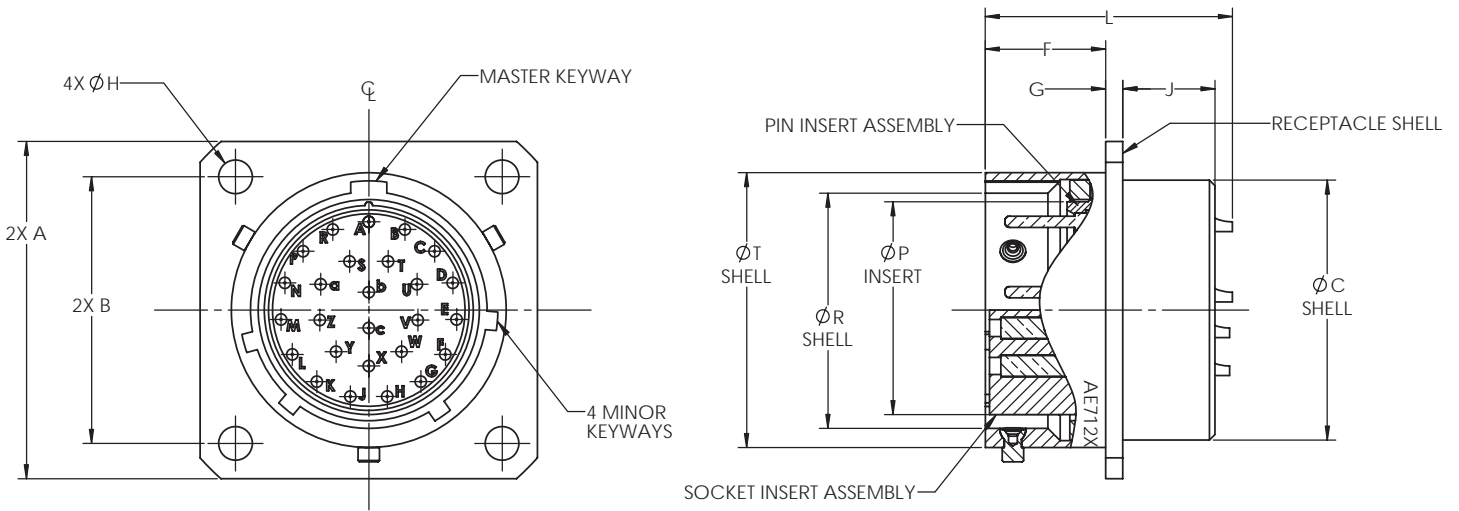
**RECEPTACLE WHEN ASSEMBLED WITH BACKSHELL CLASS "J"**

SHELL SIZE	A MAX.	B	F $+0.01$ -0.000	G $\pm 0.016$	L Max Overall Length			$\phi N1$ $\pm 0.010$	$\phi T$	$\phi P$ MAX.	$\phi R$	$\phi X$ Min.	$\phi X1$ min range		$\phi Y$ MAX.	Y1 MAX.	Z Thread Unef-2A						
					Class A	Class E	Class F (bushing included)						Class J	N Thread UNEF-2A				closed	open				
8	.828	.594	.431	.062	1.553	1.328	2.271	.4375-28	.125	.474 .468	.285	.367 .361	.269	.169	.230	.608	.828	.5000-28					
10	.954	.719					1.992	.5625-24	.188	.591 .585	.402	.495 .489	.359	.205	.312	.734	.891	.6250-24					
12	1.047	.812					2.411	.6875-24	.312	.751 .745	.516	.612 .606	.469	.338	.442	.858	1.016	.7500-20					
14	1.141	.906					2.599	.8125-20	.375	.876 .870	.641	.737 .731	.589	.416	.539	.984	1.141	.8750-20					
16	1.234	.969					2.047	2.943	.9375-20	.500	1.001 .995	.766	.862 .856	.727	.550	.616	1.110	1.203	1.000-20				
18	1.328	1.062					2.078	3.172	1.0625-18	.625	1.126 1.120	.855	.967 .961	.779	.600	.672	1.234	1.469	1.1875-18				
20	1.453	1.158	.556	.094	1.703	1.531	2.344	3.610	1.1875-18	.625	1.251 1.245	.980	1.092 1.086	.901	.635	.747	1.360	1.1875-18					
22	1.578	1.250						3.766	1.3125-18	.750	1.376 1.370	1.105	1.217 1.211	1.009	.670	.846	1.484	1.656	1.4375-18				
24	1.700	1.375						.589	1.765	1.594	2.406	3.985	1.4375-18	.800	1.501 1.495	1.229	1.342 1.336	1.123	.740	.894	1.610	1.750	1.4375-18

26482 S I



**MS3112 / AE712 Box Mount Receptacle**

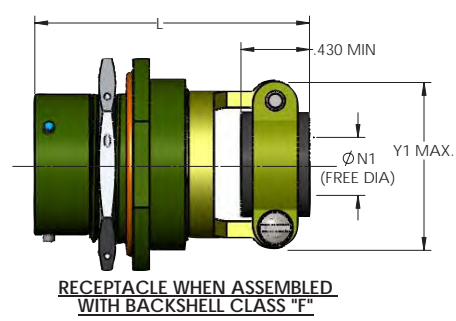
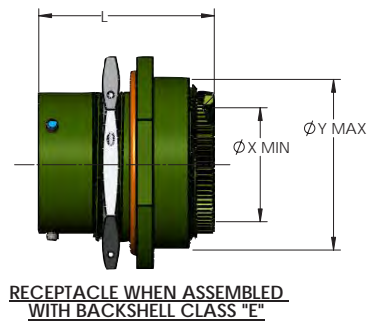
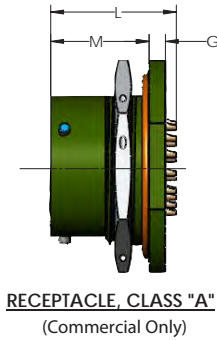
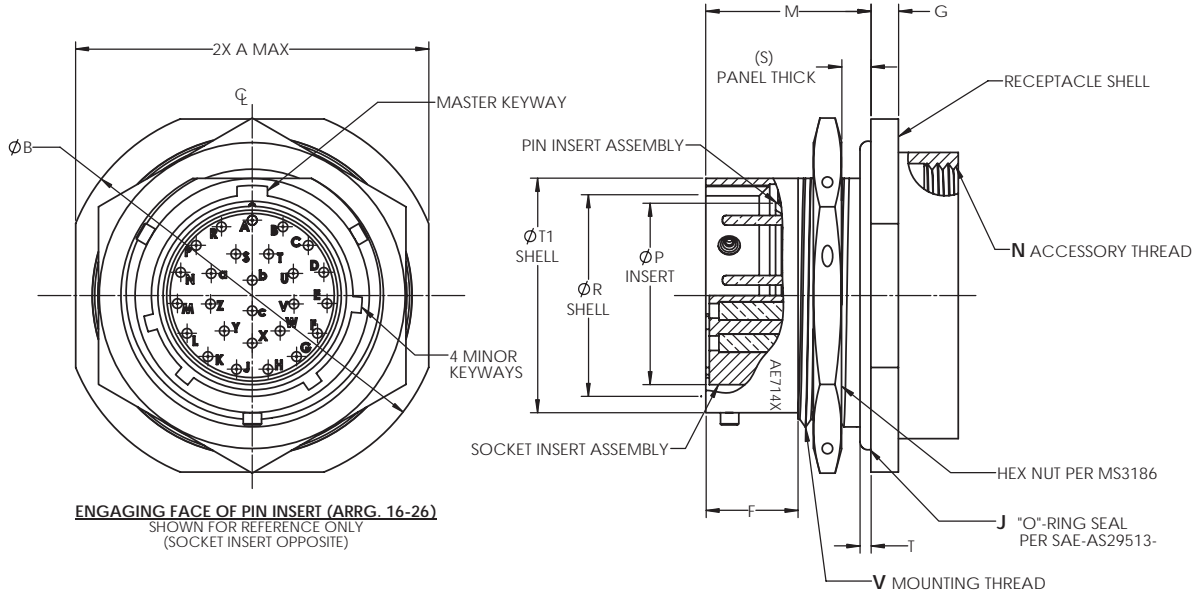


SHELL SIZE	A MAX.	B	ØC +0.031 _0.016	F +0.031 _0.000	G ±0.016	ØH	J Max	L Max Overall Length	ØP MAX.		ØT
									inch	inch	
8	.828	.594	.438	.431	.062	.120	.354	.975	.285	.367 .361	.474 .468
10	.954	.719	.562						.495 .489	.591 .585	
12	1.047	.812	.688						.612 .606	.751 .745	
14	1.141	.906	.812						.737 .731	.876 .870	
16	1.234	.969	.938	.556	.094	.147	.417	1.196	.766	.862 .856	1.001 .995
18	1.328	1.062	1.062						.855	.967 .961	1.126 1.120
20	1.453	1.158	1.156						.980	1.092 1.086	1.251 1.245
22	1.578	1.250	1.250	.589					1.105	1.217 1.211	1.376 1.370
24	1.700	1.375	1.375						1.229	1.342 1.336	1.501 1.495

**MS3114**  
**Jam Nut Receptacle**  
**AE714**



**MS3114 / AE714 Jam Nut Receptacle**

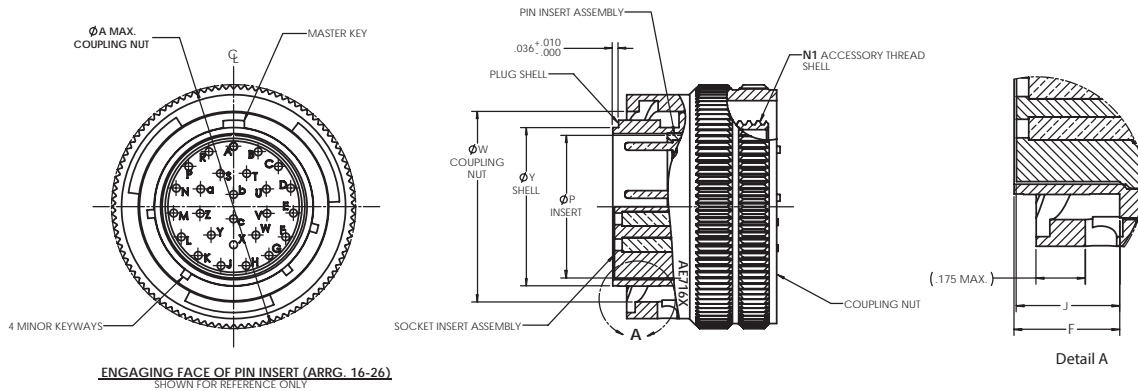


26482 S I

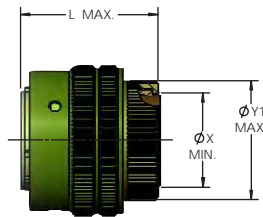
SHELL SIZE	A MAX.		ØB		F MIN.	G ±.020 (±.508)	J SAE-AS29513-	L Max Overall Length			M +.031 -0.000 (+.787) (-.000)	V Thread UNEF-2A	N Thread UNEF-2B	ØN1 ±.010 (±.254)		T ±.011 (±.279)	ØT1	ØP MAX.		ØR	S ref.	ØX Min.		ØY MAX.	Y1 MAX.		
	inch	mm	inch	mm				Class E	Class F (bushing included)	Class A				inch	mm			inch	mm			inch	mm			inch	mm
			+.000	-.032				+.000	-.813																		
8	.954	24.23	1.078	27.38			-017				.5625-24	.625-24	.125	3.18	.474	.285	7.24	.367	9.32		.269	6.83	.750	.828			
							-019		1.906		.6875-24	.750-20	.188	4.78	.591	.402	10.21	.495	12.57		.359	9.12	.875	.891			
							-022	1.344	(48.41)	.980	.875-20	.875-20	.312	7.92	.751	.516	13.11	.612	15.55	.125	.469	11.91	1.000	1.016			
					(9.75)	(2.97)	-024	(34.14)	(24.89)	(17.55)	1.000-20	1.000-20	.375	9.52	.745	.641	16.28	.737	18.72	(3.17)	.589	14.96	1.125	1.141			
							-026		2.047		1.125-18	1.125-18	.500	12.70	.876	.766	19.46	.862	21.90	(1.57)	.727	18.47	1.250	1.203			
							-028		(51.99)		1.250-18	1.250-18		15.87	.870	.855	21.72	.856	21.42		.779	19.79	1.375	1.469			
							-128	1.594	2.328	1.198	1.375-18	1.375-18	.625	15.87	1.126	.980	24.90	.967	24.56	(6.35)	.901	22.88	1.531	1.570			
							-130	(40.68)	(59.13)	(30.43)	1.500-18	1.500-18	.750	19.05	1.120	1.105	28.07	.961	24.41	(1.57)	1.009	25.63	1.656	1.656			
					(11.33)	(3.76)	-132	1.641	2.453	1.230	1.625-18	1.625-18	.800	20.32	1.376	1.229	31.22	1.086	27.58	(6.35)	1.123	28.52	1.781	1.750			
					(12.17)			(41.68)	(62.31)	(31.24)					1.501	1.495	31.22	1.342	34.09		1.123	28.52	1.781	1.750			



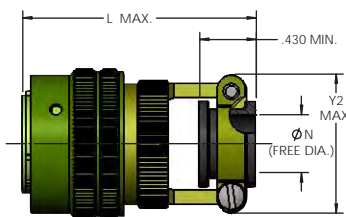
**MS3116 / AE716 Straight Plug**



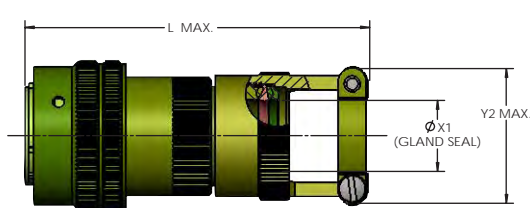
**ENGAGING FACE OF PIN INSERT (ARRG. 16-26)**  
SHOWN FOR REFERENCE ONLY



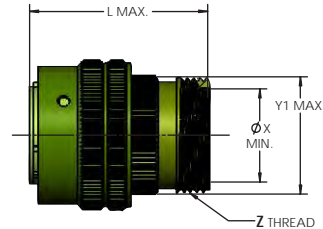
**PLUG WHEN ASSEMBLED WITH BACKSHELL CLASS "E"**



**PLUG WHEN ASSEMBLED WITH BACKSHELL CLASS "F"**



**PLUG WHEN ASSEMBLED WITH BACKSHELL CLASS "J"**



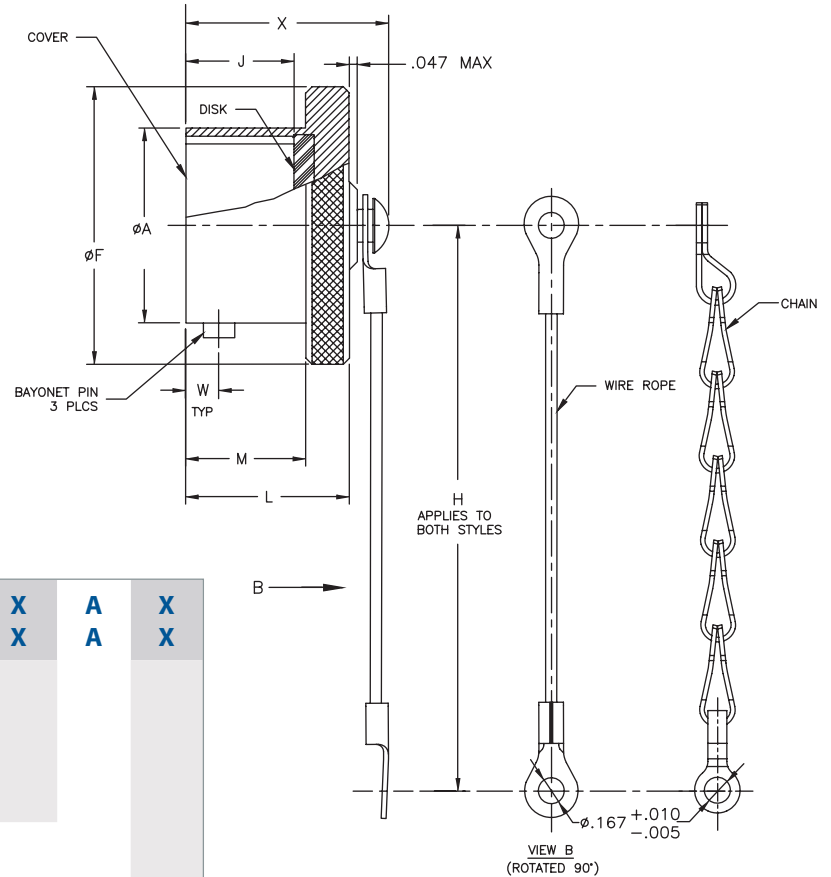
**PLUG WHEN ASSEMBLED WITH BACKSHELL CLASS "A" (Commercial Only)**

SHELL SIZE	ØA MAX.		F ±.010 (±.254)	J	L Max Overall Length				N1 Thread UNEF-2A	ØN ±.010 (±.254)		ØP MAX.		ØW		ØX MIN.		ØX1 min range		ØY		ØY1 MAX.	Y2 MAX.		
	inch	mm			Class E	Class A	Class F (bushing included)	Class J		inch	mm	inch	mm	inch	mm	inch	mm	closed	open	inch	mm			inch	mm
8	.782	19.86	.353 (8.97)	.337 (8.56)	1.328 (33.73)	1.609 (48.41)	2.271 (57.68)	.4375-28	.125	3.17	.285	7.24	.486	12.34	.259	6.58	.169 (4.29)	.230 (5.84)	.358	9.09	.608 (16.44)	.828 (21.03)			
10	.926	23.52					2.411 (61.24)	.5625-24	.188	4.78	.402	10.21	.607	15.42	.359	9.12	.601	15.27	.205 (5.27)	.312 (7.93)	.486	12.34	.734 (18.64)	.891 (22.63)	
12	1.043	26.49					2.599 (66.01)	.6875-24	.312	7.92	.516	13.11	.766	19.46	.469	11.91	.760	19.30	.338 (8.56)	.442 (11.23)	.598	15.19	.858 (21.79)	1.016 (25.81)	
14	1.183	30.05					2.047 (51.99)	.8125-20	.375	9.52	.641	16.28	.890	22.61	.589	14.96	.884	22.45	.416 (10.57)	.539 (13.69)	.723	18.36	.984 (24.99)	1.161 (29.49)	
16	1.305	33.15					2.078 (52.78)	.9375-20	.500	12.70	.766	19.46	1.015	25.78	.717	18.21	1.009	25.63	.550 (13.97)	.616 (15.65)	.848	21.54	1.110 (28.19)	1.203 (30.56)	
18	1.391	35.33					2.078 (52.78)	1.0625-18	.625	15.87	.855	21.72	1.141	28.98	.779	19.79	1.135	28.83	.600 (15.24)	.672 (17.07)	.948	24.08	1.234 (31.34)	1.469 (37.31)	
20	1.531	38.89	.415 (10.54)	.399 (10.13)	1.453 (36.91)	1.656 (57.15)	3.610 (91.69)	1.1875-18	.750	19.05	1.105	28.07	1.265	32.13	.901	22.88	.635 (16.13)	.747 (18.97)	1.073	27.25	1.360 (34.54)	1.656 (42.06)			
22	1.656	42.06					3.766 (95.66)	1.3125-18	.750	19.05	1.105	28.07	1.390	35.31	1.009	25.63	.670 (17.02)	.846 (21.49)	1.198	30.43	1.484 (37.69)	1.656 (42.06)			
24	1.777	45.14					2.312 (58.72)	1.510 (38.35)	1.750	3.985 (101.22)	1.4375-18	.800	20.32	1.229	31.22	1.515	38.48	1.123	28.52	.740 (18.80)	.894 (22.71)	1.323	33.60	1.610 (40.89)	1.750 (44.45)

**MS3180**  
**Protective Cover, Plug**  
**AE1580**



**Protective Cover, Plug**



**Part Number Configuration**

<b>MIL. Prefix</b>	<b>MS3180-</b>	<b>XX</b>	<b>X</b>	<b>A</b>	<b>X</b>
<b>Aero Prefix</b>	<b>AE1580-</b>	<b>XX</b>	<b>X</b>	<b>A</b>	<b>X</b>
<b>Shell Size</b>	<b>8 THRU 24 (Note: single digit for shell size 8)</b>				
<b>Style</b>	<b>C</b> = Chain Assembly <b>R</b> = Wire Rope Assembly				
<b>Material Finish</b>	<b>A</b> = Aluminum, Hard Black Anodized (Consult factory for other plating options, must order via AE part #)				
<b>Chain/Wire Rope Length</b>	Blank - for standard length "H" L= 5.000 +.500/-.250				

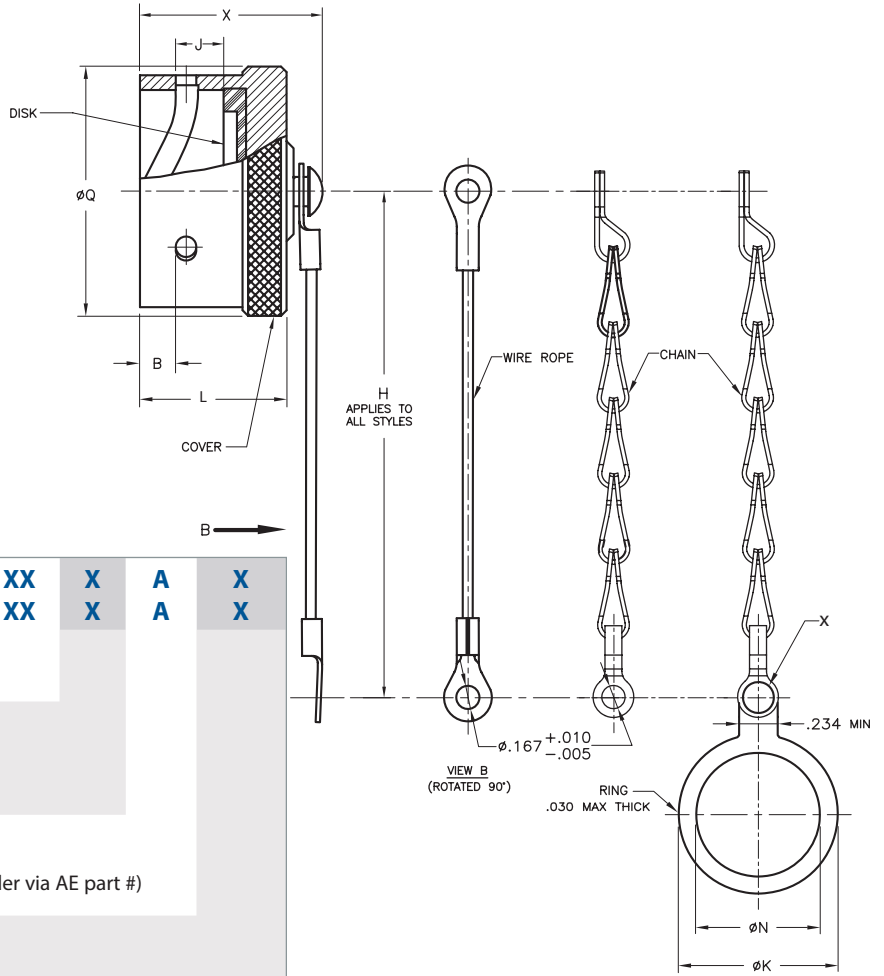
SHELL SIZE	ØA		ØF MAX.		H		J		L Max.		M		W		X MAX	
	+ .001 - .005	+ .025 - .127			+ .500 - .250	+ 12.70 - 6.35	+ .010 - .020	+ .254 - .508			+ .031 - .000	+ .787 - .000				
	inch	mm	inch	mm	inch	mm	inch	mm	inch	mm	inch	mm	inch	mm		
8	.473	12.01	.719	18.26	3.000	76.20	.328	8.33	.562	14.27	.368	9.35	.100	2.54	.781	19.84
10	.590	14.99	.844	21.44	3.000	76.20	.328	8.33	.562	14.27	.368	9.35	.100	2.54	.781	19.84
12	.750	19.05	1.000	25.40	3.500	88.90	.328	8.33	.562	14.27	.368	9.35	.100	2.54	.781	19.84
14	.875	22.23	1.125	28.58	3.500	88.90	.328	8.33	.562	14.27	.368	9.35	.100	2.54	.781	19.84
16	1.000	25.40	1.250	31.75	3.500	88.90	.328	8.33	.562	14.27	.368	9.35	.100	2.54	.781	19.84
18	1.125	28.58	1.375	34.93	3.500	88.90	.328	8.33	.562	14.27	.368	9.35	.100	2.54	.781	19.84
20	1.250	31.75	1.500	38.10	4.000	101.60	.390	9.91	.625	15.88	.430	10.92	.100	2.54	.844	21.44
22	1.375	34.93	1.625	41.28	4.000	101.60	.390	9.91	.625	15.88	.430	10.92	.100	2.54	.844	21.44
24	1.500	38.10	1.750	44.45	4.000	101.60	.390	9.91	.625	15.88	.430	10.92	.109	2.77	.875	22.23

26482 S I



**MS3181**  
**Protective Cover, Receptacle**  
**AE1581**

**Protective Cover, Receptacle**



**Part Number Configuration**

<b>MIL. Prefix</b>	<b>MS3181-</b>	<b>XX</b>	<b>X</b>	<b>A</b>	<b>X</b>
<b>Aero Prefix</b>	<b>AE1581-</b>	<b>XX</b>	<b>X</b>	<b>A</b>	<b>X</b>
<b>Shell Size</b>	<b>8 THRU 24 (Note: single digit for shell size 8)</b>				
<b>Style</b>	<ul style="list-style-type: none"> <li><b>C</b> = Chain Assembly</li> <li><b>R</b> = Wire Rope Assembly</li> <li><b>N</b> = Chain/ Angled Ring Assembly</li> </ul>				
<b>Material Finish</b>	<ul style="list-style-type: none"> <li><b>A</b> = Aluminum, Hard Black Anodized</li> <li>(Consult factory for other or plating options, must order via AE part #)</li> </ul>				
<b>Chain/Wire Rope Lengh</b>	<ul style="list-style-type: none"> <li>Blank - for standard length "H"</li> <li>L = 5.000 +.500/-.250</li> </ul>				

26482 S I

SHELL SIZE	B Max.		H		J		L Max.		ØN MIN.		ØQ Max.		ØK MAX		X MAX	
			+0.500 -0.250	+12.70 -6.35	+0.010 -0.015	+0.254 -0.381			inch	mm	inch	mm	inch	mm	inch	mm
8	.149	3.78	3.000	76.20	.115	2.92	.562	14.27	.578	14.68	.734	18.64	.812	20.62	.844	21.44
10	.149	3.78	3.000	76.20	.115	2.92	.562	14.27	.703	17.86	.859	21.82	1.000	25.40	.844	21.44
12	.149	3.78	3.500	88.90	.115	2.92	.562	14.27	.891	22.63	1.000	25.40	1.188	30.18	.844	21.44
14	.149	3.78	3.500	88.90	.115	2.92	.562	14.27	1.016	25.81	1.125	28.58	1.438	36.53	.844	21.44
16	.149	3.78	3.500	88.90	.115	2.92	.562	14.27	1.141	28.98	1.250	31.75	1.562	39.67	.844	21.44
18	.149	3.78	3.500	88.90	.115	2.92	.562	14.27	1.266	32.16	1.375	34.93	1.688	42.88	.844	21.44
20	.149	3.78	4.000	101.60	.115	2.92	.562	14.27	1.391	35.33	1.500	38.10	1.812	46.02	.844	21.44
22	.149	3.78	4.000	101.60	.115	2.92	.562	14.27	1.516	38.51	1.625	41.28	1.938	49.23	.844	21.44
24	.087	2.21	4.000	101.60	.147	3.73	.602	15.29	1.641	41.68	1.750	44.45	2.062	52.37	.875	22.23

# MIL-DTL 26482 Series I

## Polarization, Insert Availability & contact Information

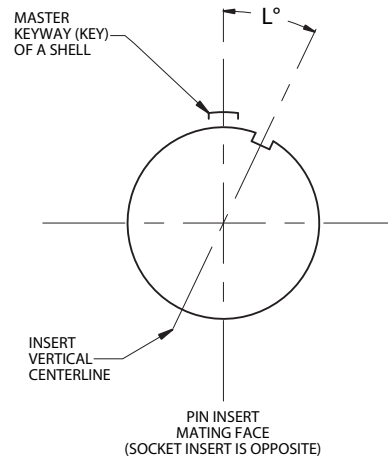
### Per MIL-STD-1669



#### Polarization (Insert Clocking)

1. In the normal insert clocking position (position N), the insert centerline coincides with the centerline of the master keyway (key) of the shell:  $L = 0^\circ$ .
2. In the alternate clocking positions (W, X, Y and Z), the pin insert (viewing from mating side) is rotated clockwise relative to the centerline of the master keyway (key) of the shell.
3. The socket insert is rotated counter-clockwise.
4. Plugs have keys; receptacles have keyways.

**Note:** Be careful with alternate positions. See table below for position availability on layouts of interest.



### Insert Availability, Contact Information and Clocking Positions

Insert Arrangement	Total	Contact Quantity			Service	Insert Positions				
	No. of Contacts	By Size			Rating	In Degrees				
		20	16	12		N	W	X	Y	Z
8-2	2	2			I	0	58	122	—	—
8-3	3	3			I	0	60	210	—	—
8-4	4	4			I	0	45	—	—	—
8-33	3	3			I	0	90	—	—	—
8-98	3	3			I	0	—	—	—	—
10-6	6	6			I	0	90	—	—	—
10-7	7	7			I	0	90	—	—	—
10-98	6	6			I	0	90	180	240	270
12-3	3		3		II	0	—	—	180	—
12-8	8	8			I	0	90	112	203	292
12-10	10	10			I	0	60	155	270	295
14-5	5		5		II	0	40	92	184	273
14-12	12	8	4		I	0	43	90	—	—
14-15	15	14	1		I	0	17	110	155	234
14-18	18	18			I	0	15	90	180	270
14-19	19	19			I	0	30	165	315	—

Note: Insert arrangements are subject to availability

26482 S I



**MIL-DTL 26482 Series I**  
**Polarization, Insert Availability & contact Information**  
**Per MIL-STD-1669**

**Insert Availability, Contact Information and Clocking Positions**

Insert Arrangement	Aero-Electric		Total	Contact Quantity			Service	Insert Positions				
	Status		No. of	By Size			Rating	In Degrees				
	QPL'd	Tooled	Contacts	20	16	12		N	W	X	Y	Z
16-8	Yes	Yes	8		8		II	0	54	152	180	331
16-23	Yes	Yes	23	22	1		I	0	158	270	—	—
16-26	Yes	Yes	26	26			I	0	60	—	275	338
18-11	Yes	Yes	11		11		II	0	62	119	241	340
18-30	Yes	Yes	30	29	1		I	0	180	193	285	350
18-32	Yes	Yes	32	32			I	0	85	138	222	265
20-16	Yes	Yes	16		16		II	0	238	318	333	347
20-24	Yes	Yes	24	24			I	0	70	145	215	290
20-39	Yes	Yes	39	37	2		I	0	63	144	252	333
20-41	Yes	Yes	41	41			I	0	45	126	225	—
22-21	Yes	Yes	21		21		II	0	16	135	175	349
22-41	Yes	Yes	41	27	14		I	0	39	135	264	—
22-55	Yes	Yes	55	55			I	0	30	142	226	314
24-31	Yes	Yes	31		31		I	0	90	225	255	—
24-61	Yes	Yes	61	61			I	0	90	180	270	324

Note: Insert arrangements are subject to availability

26482 S I

**Contact and Wire Data**

Contact Size	Test Current	MAX. Voltage Drop			Finished Wire Ø Range		
	DC Test	wire size	Initial mV	After corrosion mV	wire size	Min	Max
	Amps						
20	7.5	24	45	55	24	.047 (1.19)	.083 (2.11)
		22	45	55	22		
		20	55	65	20		
16	13.0	20	45	55	20	.066 (1.68)	.109 (2.77)
		18	45	55	18		
		16	50	60	16		

Note: Test Current and Maximum Voltage Drop when tested with silver-plated wire at 25°C.

Insert Arrangement Views



8-2  
2 #20, I



8-3  
3 #20, I



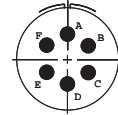
8-4  
4 #20, I



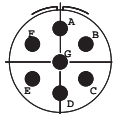
8-33  
3 #20, I



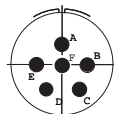
8-98  
3 #20, I



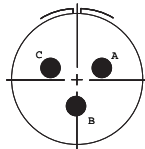
10-6  
6 #20, I



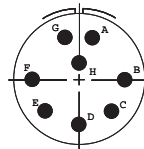
10-7  
7 #20, I



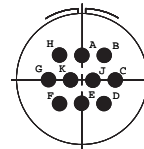
10-98  
6 #20, I



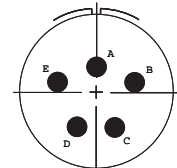
12-3  
3 #16, II



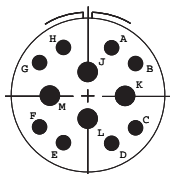
12-8  
8 #20, I



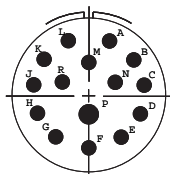
12-10  
10 #20, I



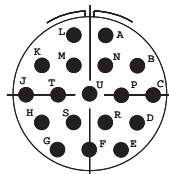
14-5  
5 #16, II



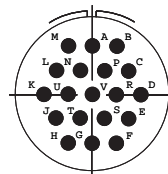
14-12  
4 #16, 8 #20, I



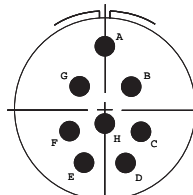
14-15  
1 #16, 14 #20, I



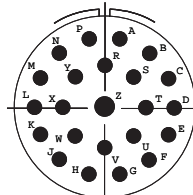
14-18  
18 #20, I



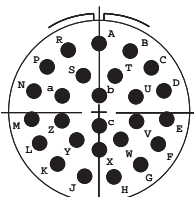
14-19  
19 #20, I



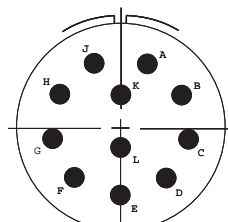
16-8  
8 #16, II



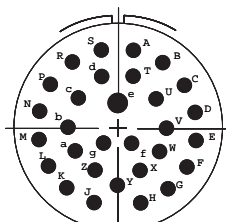
16-23  
1 #16, 22 #20, I



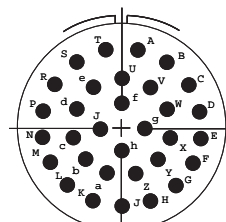
16-26  
26 #20, I



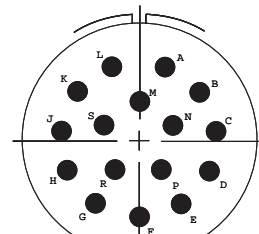
18-11  
11 #16, II



18-30  
1 #16, 29 #20, I



18-32  
32 #20, I



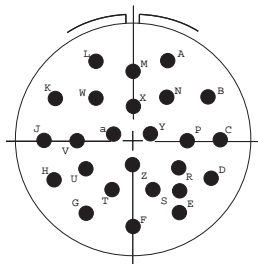
20-1 6  
16 #16, II

Note: Insert arrangements are subject to availability

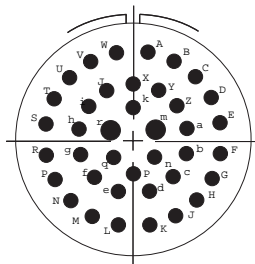
26482 S I



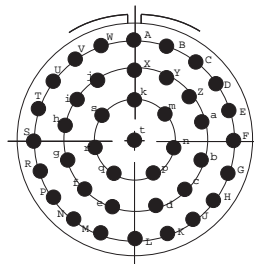
Insert Arrangement Views



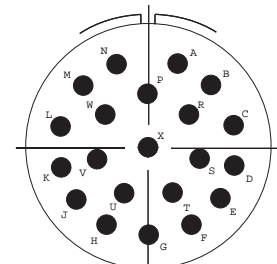
20-24  
24# 20, I



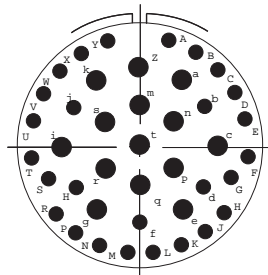
20-39  
2 #16, 37# 20, I



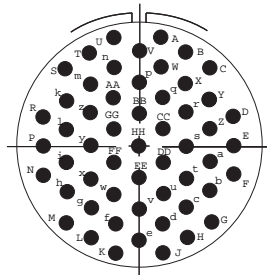
20-41  
41# 20, I



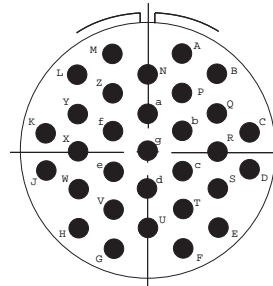
22-21  
21# 16, II



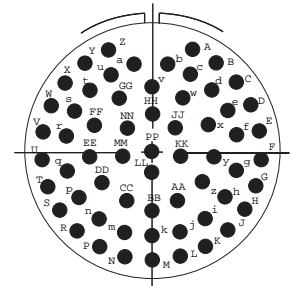
22-41  
14# 16, 27# 20, I



22-55  
55# 20, I



24-31  
31# 16, I



24-61  
61# 20, I

Note: Insert arrangements are subject to availability

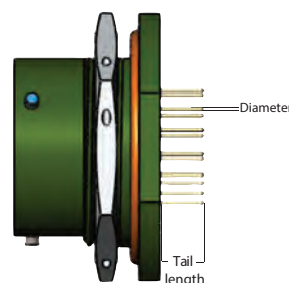
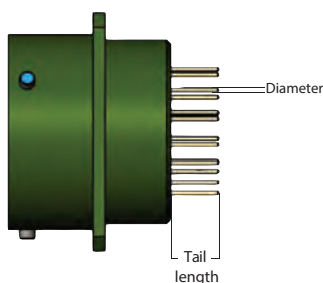
# MIL-DTL-26482 Series I PC tail selection For AE712 and AE714 only



To choose an alternate contact length or diameter, locate the preferred length and diameter of contact in the tables on pages 16 through 20. Select the modification code dash number specified for that contact configuration. Add the modification code to the end of the connector part number created from the part number builder.

For example: A connector using size 20 pin contacts with a diameter of .0019" and pc-tail length of 0.110" is required, the connector part number needs to be specified with a -1101 added to the end of the part number to specify the specific length and diameter required by the designer. Consult factory for further information or assistance.

Contact	Modification Code	Diameter	Tolerance	Tail Length	Tolerance
Size 20 Pin	-1200	0.019	+/- .001	0.250	+/- .020
Size 20 Pin	-1201	0.019	+/- .001	0.110	+/- .020
Size 20 Pin	-1202	0.019	+/- .001	0.130	+/- .020
Size 20 Pin	-1203	0.019	+/- .001	0.150	+/- .020
Size 20 Pin	-1204	0.019	+/- .001	0.170	+/- .020
Size 20 Pin	-1205	0.019	+/- .001	0.190	+/- .020
Size 20 Pin	-1206	0.019	+/- .001	0.210	+/- .020
Size 20 Pin	-1207	0.019	+/- .001	0.230	+/- .020
Size 20 Pin	-1208	0.019	+/- .001	0.270	+/- .020
Size 20 Pin	-1210	0.019	+/- .001	0.310	+/- .020
Size 20 Pin	-1212	0.019	+/- .001	0.350	+/- .020
Size 20 Pin	-1214	0.019	+/- .001	0.390	+/- .020
Size 20 Pin	-1216	0.019	+/- .001	0.430	+/- .020
Size 20 Pin	-1218	0.019	+/- .001	0.470	+/- .020
Size 20 Pin	-1220	0.019	+/- .001	0.510	+/- .020
Size 20 Pin	-1221	0.025	+/- .001	0.110	+/- .020
Size 20 Pin	-1222	0.025	+/- .001	0.130	+/- .020
Size 20 Pin	-1223	0.025	+/- .001	0.150	+/- .020
Size 20 Pin	-1224	0.025	+/- .001	0.170	+/- .020
Size 20 Pin	-1225	0.025	+/- .001	0.190	+/- .020
Size 20 Pin	-1226	0.025	+/- .001	0.210	+/- .020
Size 20 Pin	-1227	0.025	+/- .001	0.230	+/- .020
Size 20 Pin	-1228	0.025	+/- .001	0.250	+/- .020
Size 20 Pin	-1229	0.025	+/- .001	0.270	+/- .020
Size 20 Pin	-1231	0.025	+/- .001	0.310	+/- .020
Size 20 Pin	-1233	0.025	+/- .001	0.350	+/- .020
Size 20 Pin	-1235	0.025	+/- .001	0.390	+/- .020
Size 20 Pin	-1237	0.025	+/- .001	0.430	+/- .020
Size 20 Pin	-1239	0.025	+/- .001	0.470	+/- .020
Size 20 Pin	-1241	0.025	+/- .001	0.510	+/- .020



26482 S I



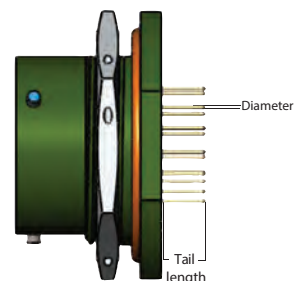
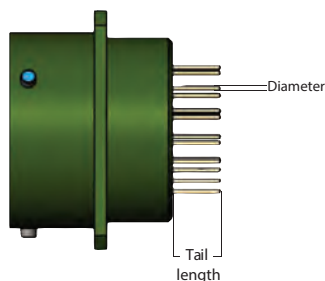


**MIL-DTL-26482 Series I**  
**PC tail selection**  
**For AE712 and AE714 only**

To choose an alternate contact length or diameter, locate the preferred length and diameter of contact in the tables on pages 16 through 20. Select the modification code dash number specified for that contact configuration. Add the modification code to the end of the connector part number created from the part number builder.

For example: A connector using size 20 pin contacts with a diameter of .0019" and pc-tail length of 0.110" is required, the connector part number needs to be specified with a -1101 added to the end of the part number to specify the specific length and diameter required by the designer. Consult factory for further information or assistance.

Contact	Modification Code	Diameter	Tolerance	Tail Length	Tolerance
Size 20 Socket	-1500	0.019	+/- .001	0.250	+/- .020
Size 20 Socket	-1501	0.019	+/- .001	0.110	+/- .020
Size 20 Socket	-1502	0.019	+/- .001	0.130	+/- .020
Size 20 Socket	-1503	0.019	+/- .001	0.150	+/- .020
Size 20 Socket	-1504	0.019	+/- .001	0.170	+/- .020
Size 20 Socket	-1505	0.019	+/- .001	0.190	+/- .020
Size 20 Socket	-1506	0.019	+/- .001	0.210	+/- .020
Size 20 Socket	-1507	0.019	+/- .001	0.230	+/- .020
Size 20 Socket	-1508	0.019	+/- .001	0.270	+/- .020
Size 20 Socket	-1510	0.019	+/- .001	0.310	+/- .020
Size 20 Socket	-1512	0.019	+/- .001	0.350	+/- .020
Size 20 Socket	-1514	0.019	+/- .001	0.390	+/- .020
Size 20 Socket	-1516	0.019	+/- .001	0.430	+/- .020
Size 20 Socket	-1518	0.019	+/- .001	0.470	+/- .020
Size 20 Socket	-1520	0.019	+/- .001	0.510	+/- .020
Size 20 Socket	-1521	0.025	+/- .001	0.110	+/- .020
Size 20 Socket	-1522	0.025	+/- .001	0.130	+/- .020
Size 20 Socket	-1523	0.025	+/- .001	0.150	+/- .020
Size 20 Socket	-1524	0.025	+/- .001	0.170	+/- .020
Size 20 Socket	-1525	0.025	+/- .001	0.190	+/- .020
Size 20 Socket	-1526	0.025	+/- .001	0.210	+/- .020
Size 20 Socket	-1527	0.025	+/- .001	0.230	+/- .020
Size 20 Socket	-1528	0.025	+/- .001	0.250	+/- .020
Size 20 Socket	-1529	0.025	+/- .001	0.270	+/- .020
Size 20 Socket	-1531	0.025	+/- .001	0.310	+/- .020
Size 20 Socket	-1533	0.025	+/- .001	0.350	+/- .020
Size 20 Socket	-1535	0.025	+/- .001	0.390	+/- .020
Size 20 Socket	-1537	0.025	+/- .001	0.430	+/- .020
Size 20 Socket	-1539	0.025	+/- .001	0.470	+/- .020
Size 20 Socket	-1541	0.025	+/- .001	0.510	+/- .020



26482 S I

# MIL-DTL-26482 Series I

## PC tail selection

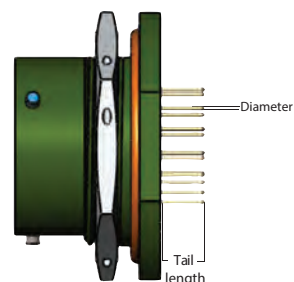
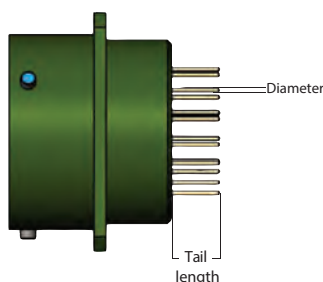
### For AE712 and AE714 only



To choose an alternate contact length or diameter, locate the preferred length and diameter of contact in the tables on pages 16 through 20. Select the modification code dash number specified for that contact configuration. Add the modification code to the end of the connector part number created from the part number builder.

For example: A connector using size 20 pin contacts with a diameter of .0019" and pc-tail length of 0.110" is required, the connector part number needs to be specified with a -1101 added to the end of the part number to specify the specific length and diameter required by the designer. Consult factory for further information or assistance.

Contact	Modification Code	Diameter	Tolerance	Tail Length	Tolerance
Size 16 Pin	-1300	0.062	+/- .001	0.250	+/- .020
Size 16 Pin	-1301	0.062	+/- .001	0.110	+/- .020
Size 16 Pin	-1302	0.062	+/- .001	0.130	+/- .020
Size 16 Pin	-1303	0.062	+/- .001	0.150	+/- .020
Size 16 Pin	-1304	0.062	+/- .001	0.170	+/- .020
Size 16 Pin	-1305	0.062	+/- .001	0.190	+/- .020
Size 16 Pin	-1306	0.062	+/- .001	0.210	+/- .020
Size 16 Pin	-1307	0.062	+/- .001	0.230	+/- .020
Size 16 Pin	-1308	0.062	+/- .001	0.270	+/- .020
Size 16 Pin	-1310	0.062	+/- .001	0.310	+/- .020
Size 16 Pin	-1312	0.062	+/- .001	0.350	+/- .020
Size 16 Pin	-1314	0.062	+/- .001	0.390	+/- .020
Size 16 Pin	-1316	0.062	+/- .001	0.430	+/- .020
Size 16 Pin	-1318	0.062	+/- .001	0.470	+/- .020
Size 16 Pin	-1320	0.062	+/- .001	0.510	+/- .020
Size 16 Pin	-1321	0.040	+/- .001	0.110	+/- .020
Size 16 Pin	-1322	0.040	+/- .001	0.130	+/- .020
Size 16 Pin	-1323	0.040	+/- .001	0.150	+/- .020
Size 16 Pin	-1324	0.040	+/- .001	0.170	+/- .020
Size 16 Pin	-1325	0.040	+/- .001	0.190	+/- .020
Size 16 Pin	-1326	0.040	+/- .001	0.210	+/- .020
Size 16 Pin	-1327	0.040	+/- .001	0.230	+/- .020
Size 16 Pin	-1328	0.040	+/- .001	0.250	+/- .020
Size 16 Pin	-1329	0.040	+/- .001	0.270	+/- .020
Size 16 Pin	-1331	0.040	+/- .001	0.310	+/- .020
Size 16 Pin	-1333	0.040	+/- .001	0.350	+/- .020
Size 16 Pin	-1335	0.040	+/- .001	0.390	+/- .020
Size 16 Pin	-1337	0.040	+/- .001	0.430	+/- .020
Size 16 Pin	-1339	0.040	+/- .001	0.470	+/- .020
Size 16 Pin	-1341	0.040	+/- .001	0.510	+/- .020



26482 S I

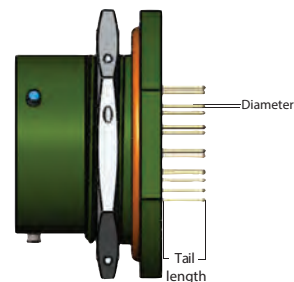
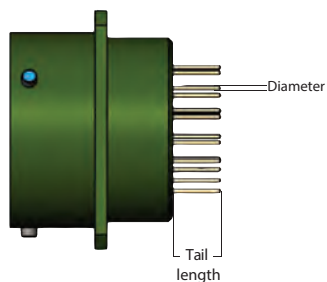


**MIL-DTL-26482 Series I**  
**PC tail selection**  
**For AE712 and AE714 only**

To choose an alternate contact length or diameter, locate the preferred length and diameter of contact in the tables on pages 16 through 20. Select the modification code dash number specified for that contact configuration. Add the modification code to the end of the connector part number created from the part number builder.

For example: A connector using size 20 pin contacts with a diameter of .0019" and pc-tail length of 0.110" is required, the connector part number needs to be specified with a -1101 added to the end of the part number to specify the specific length and diameter required by the designer. Consult factory for further information or assistance.

Contact	Modification Code	Diameter	Tolerance	Tail Length	Tolerance
Size 16 Socket	-1600	0.062	+/- .001	0.250	+/- .020
Size 16 Socket	-1601	0.062	+/- .001	0.110	+/- .020
Size 16 Socket	-1602	0.062	+/- .001	0.130	+/- .020
Size 16 Socket	-1603	0.062	+/- .001	0.150	+/- .020
Size 16 Socket	-1604	0.062	+/- .001	0.170	+/- .020
Size 16 Socket	-1605	0.062	+/- .001	0.190	+/- .020
Size 16 Socket	-1606	0.062	+/- .001	0.210	+/- .020
Size 16 Socket	-1607	0.062	+/- .001	0.230	+/- .020
Size 16 Socket	-1608	0.062	+/- .001	0.270	+/- .020
Size 16 Socket	-1610	0.062	+/- .001	0.310	+/- .020
Size 16 Socket	-1612	0.062	+/- .001	0.350	+/- .020
Size 16 Socket	-1614	0.062	+/- .001	0.390	+/- .020
Size 16 Socket	-1616	0.062	+/- .001	0.430	+/- .020
Size 16 Socket	-1618	0.062	+/- .001	0.470	+/- .020
Size 16 Socket	-1620	0.062	+/- .001	0.510	+/- .020
Size 16 Socket	-1621	0.040	+/- .001	0.110	+/- .020
Size 16 Socket	-1622	0.040	+/- .001	0.130	+/- .020
Size 16 Socket	-1623	0.040	+/- .001	0.150	+/- .020
Size 16 Socket	-1624	0.040	+/- .001	0.170	+/- .020
Size 16 Socket	-1625	0.040	+/- .001	0.190	+/- .020
Size 16 Socket	-1626	0.040	+/- .001	0.210	+/- .020
Size 16 Socket	-1627	0.040	+/- .001	0.230	+/- .020
Size 16 Socket	-1628	0.040	+/- .001	0.250	+/- .020
Size 16 Socket	-1629	0.040	+/- .001	0.270	+/- .020
Size 16 Socket	-1631	0.040	+/- .001	0.310	+/- .020
Size 16 Socket	-1633	0.040	+/- .001	0.350	+/- .020
Size 16 Socket	-1635	0.040	+/- .001	0.390	+/- .020
Size 16 Socket	-1637	0.040	+/- .001	0.430	+/- .020
Size 16 Socket	-1639	0.040	+/- .001	0.470	+/- .020
Size 16 Socket	-1641	0.040	+/- .001	0.510	+/- .020



## **Aero-Electric Connector**

Specifications are subject to change without notice. Consult Aero-Electric Connector for latest design specifications. All Statements, information and data provided herein are believed to be accurate and reliable but are presented without guarantee, warranty or responsibility of any kind, expressed or implied. The user should not assume that all safety measures are indicated or that other measures may not be required.

Drawing dimensions are in inches with metric equivalents provided in parentheses, for reference only.



conesys



Aero-Electric Connector  
2280 208th St.  
Torrance, California 90501  
Tel: 310.618.3737  
Fax: 310.618.3738  
aero-electric@conesys.com



J-Tech  
548 Amapola Ave.  
Torrance, California 90501  
Tel: 310.533.6700  
Fax: 310.533.6799  
j-tech@conesys.com



Conesys Europe  
20, avenue Jean-Monnet  
31770 Colomiers. France  
Tel: 33.5.61.15.34.20  
Fax: 33.5.61.15.48.11  
sales@conesyseurope.com



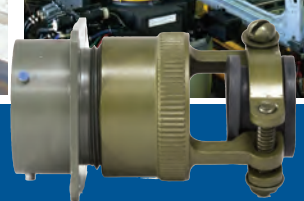
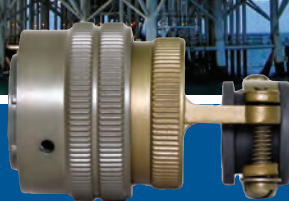
EMP Connector  
548 Amapola Ave.  
Torrance, California 90501  
Tel: 310.222.5780  
Fax: 310.222.5781  
sales@empconnectors.com



ATI-Interco  
6, Rue Jean Mermoz  
ZA de Saint Guenault  
91080 Courcouronnes. France  
Tel: +33 1 69 36 64 20  
Fax: +33 1 69 36 64 05  
contact@ati-interco.fr



Aero Industrial Products  
2280 208th St.  
Torrance, California 90501  
Tel: 310.618.3737  
Fax: 310.618.3738  
aip@conesys.com



Military » Aerospace » Geophysical » Industrial » Transportation

conesys.com